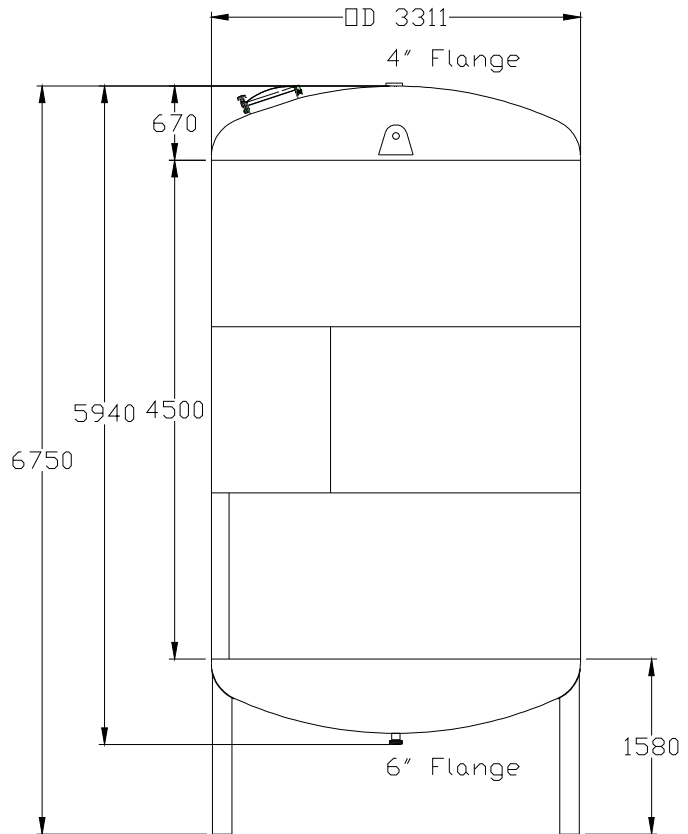


REF: KS020  
Description: 42,500Lt Single Skin SS Storage Vessel: c/w SS Manway & SS Support legs (4No.)  
Qty: 1



**Technical Specifications:**

Vessel Volume (to top weld line): 42500Lt approx.

Empty Vessel Weight: 3425Kg

Mat'l of Construction: ASTM SS316

Vessel Flood Capacity: 46,400Lt

Overall Height: 6.75m

Outside Diameter: Ø3.311m

Manway Dimension: Ø465mm x 80mm neck

Drain Outlet: 6"

Support Leg: Ø175mm x 5mm Thk x 4No.

Lifting Lugs 12mm thk x 2No.

Note:  
All technical information is given as guide and are not to take as absolute measurements.