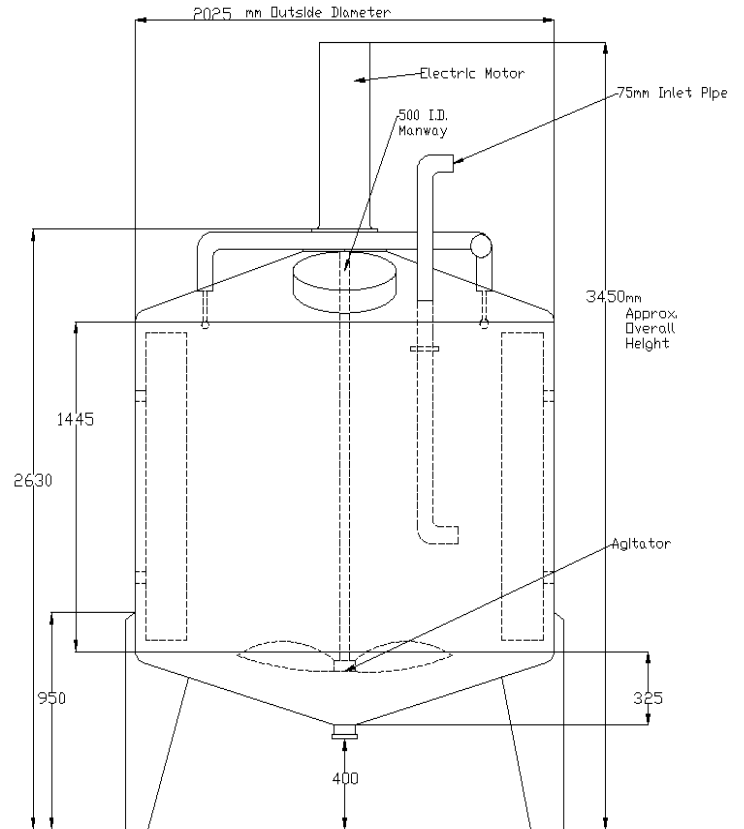


REF: KS062
Description: 6000Lt Single Skin Mixing Vessel c/w Agitator
Qty: 1x No.



Technical Specifications:

Vessel Volume: 6000Lt approx.
Mat'l of Construction: ASTM SS304
Empty Vessel Weight: 620Kg
Overall Dimensions: 3.45m high x 2.02m wide
Outside Diameter: Ø2025 mm
Drain Outlet: 4 ¾" Threaded Outlet
Supports: 4 x No. of legs

Note:
All technical information is given as guide and are not to take as absolute measurements.