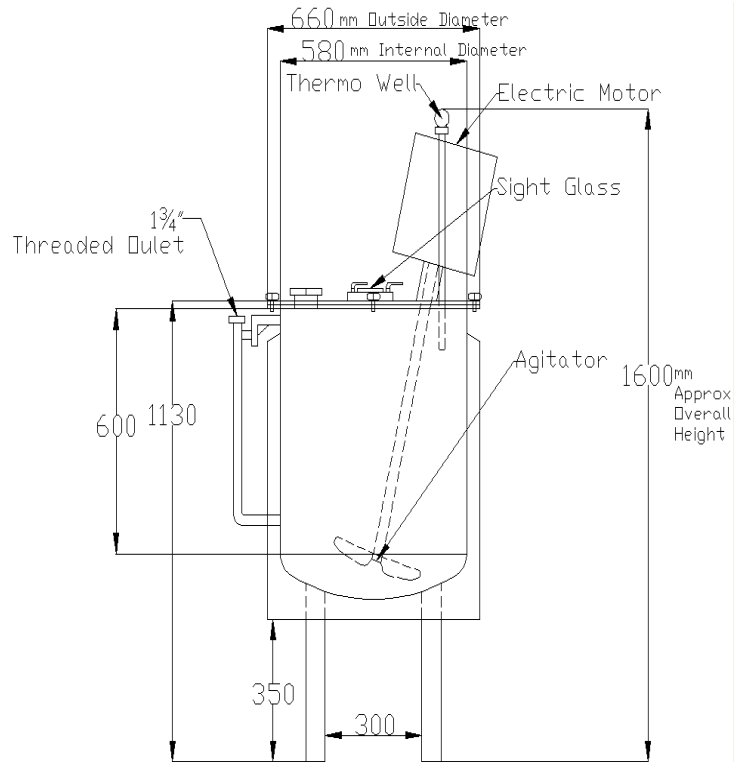


REF: KS067
Description: 180Lt Jacketed Mixing Vessel
Qty: 1 x No.



Technical Specifications:

Vessel Volume:	180Lt approx.
Mat'l of Construction:	ASTM SS304
Empty Vessel Weight:	100Kg
Overall Dimensions:	1.6m high x 0.66m wide
Outside Diameter:	Ø660 mm
Drain Outlet:	1 3/4 "Tri-Clamp
Supports:	4 x No. of legs

Note:
All technical information is given as guide and are not to take as absolute measurements.