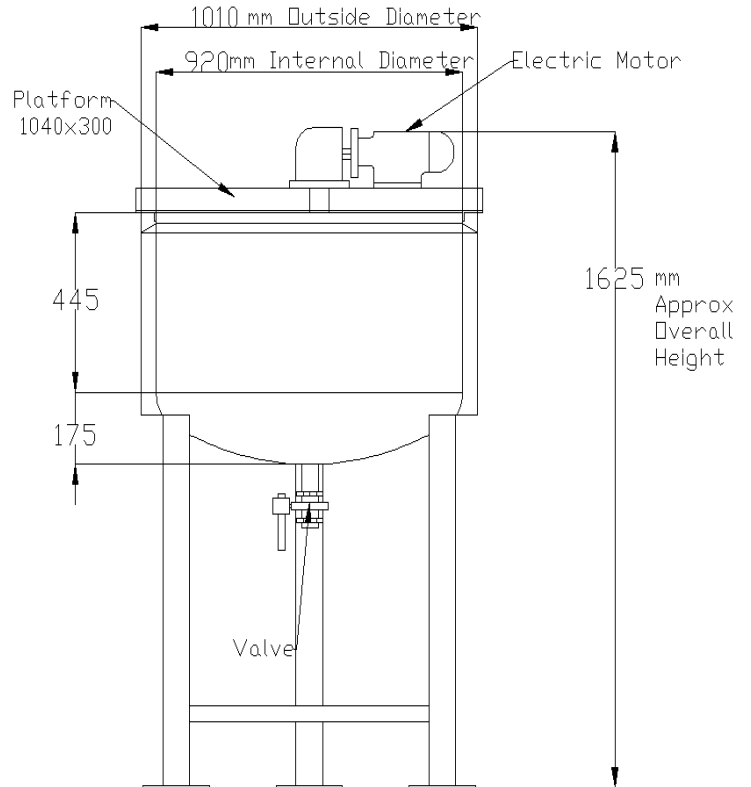


REF: KS070  
Description: 320Lt Jacketed Mixing Vessel  
Qty: 1 x No.



**Technical Specifications:**

Vessel Volume:	320Lt approx.
Mat'l of Construction:	ASTM SS316
Empty Vessel Weight:	80Kg
Overall Dimensions:	1.6m high x 1.01m wide
Outside Diameter:	Ø1010 mm
Drain Outlet:	Valve
Supports:	3 x No. of legs

Note:  
All technical information is given as guide and are not to take as absolute measurements.